



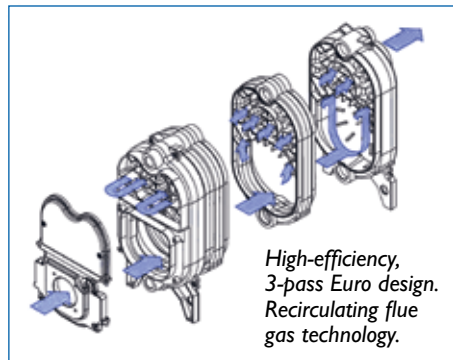
## Features

- 3-pass wet base Euro design
- Energy Star rated for high efficiency to 87%
- Low mass, low water content
- Lightweight: Small footprint
- Direct vent capability, no chimney needed
- GG20 cast iron for thermal shock protection
- Recirculating flue gas technology
- Available burners: Beckett AFG and NX, Riello F5 and BF5
- Quick-disconnects on all burner harnesses
- Total Access: Full-swing left or right hinged door for complete accessibility
- Honeywell L7248 electronic control
- Aquastat remote sensor and immersion well installed
- ASME safety relief valve
- Boiler drain
- Strongbox crating system
- Limited Lifetime Warranty

The **TRIO** boiler by PurePro® combines high efficiencies, convenient serviceability, and Low Mass European 3-Pass Technology.

The **TRIO** is constructed of GG20 rated cast iron for Thermal Shock Protection and durability.

The **TRIO** has state-of-the-art design, Recirculating Flue Gas Technology which reduces emissions.



### “Trio Energy Manager” (optional)

- Guaranteed to reduce fuel consumption 10-20%
  - Reduces boiler on/off cycles up to 30%
  - No programming needed, pre-wired
- 1 Ground Fault Electrical Outlets
  - 2 Beckett Heat Manager Illuminated “Burner Power On/Off Switch”
  - 3 “LWCO” (Low Water Cut Off), “Call Heat”, and “Burner Indicator Lights”

Guaranteed to save 10%. See [pureproproducts.com](http://pureproproducts.com) for more details.



Constructed and hydrostatically tested in accordance with ASME Boiler Code, Section IV.



## SPECIFICATIONS

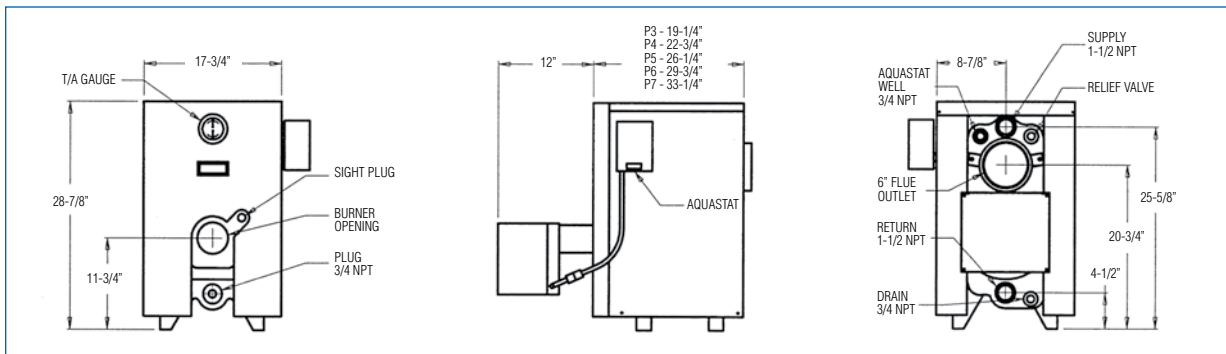
PurePro Boiler Model #	Firing Rate (#2 Fuel)	PurePro Burner Model #	Burner	Nozzle	Input (btu/hr)	DOE Capacity (btu/hr)	NET IBR (btu/hr)	Net Rating (Sq. ft.)	AFUE Rating	Water Capacity	Shipping Weight
<b>P3</b>	0.75	707720	Riello F5	.65 x 80°B	105,000	91,000	79,000	526	85.5	3.6	300
		707724	Riello BF5*	.65 x 80°B							
		707740	Beckett AFG	.60 x 70°B							
		707730	Beckett NX**	.60 x 60°B							
<b>P4</b>	1.00	707721	Riello F5	.85 x 80°B	140,000	122,000	106,000	707	86.5	4.3	350
		707724	Riello BF5*	.85 x 80°B							
		707741	Beckett AFG	.75 x 60°B							
		707731	Beckett NX**	.85 x 60°B							
<b>P5</b>	1.25	707722	Riello F5	1.00 x 80°B	175,000	153,000	133,000	887	86.9	5.1	390
		707724	Riello BF5*	1.00 x 80°B							
		707732	Beckett NX**	1.00 x 60°B							
<b>P6</b>	1.50	707723	Riello F5	1.25 x 80°B	210,000	184,000	160,000	1067	86.9	5.8	430
		707733	Beckett NX	1.25 x 45°B							
<b>P7</b>	1.75	707734	Beckett NX	1.35 x 45°B	245,000	208,250	181,100	1207	85.0	6.5	470

\*Direct Vent Only: Models P3, P4, P5

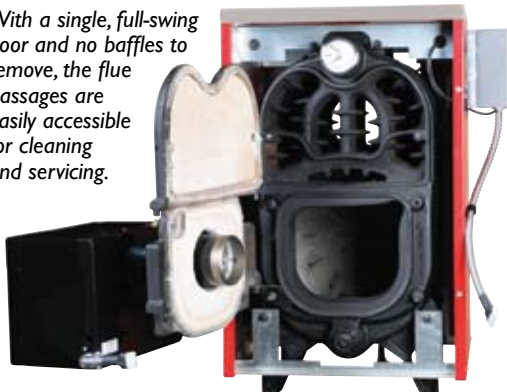
\*\*Chimney or Direct Vent Models P3, P4, P5

## DIMENSIONS

PurePro #	Cabinet Height	Cabinet Width	Cabinet Length	Supply Outlet Height C.L.	Return Outlet Height C.L.	Flue Outlet Diameter	Flue Outlet Height C.L.
<b>P3</b>	28-7/8"	17-3/4"	19-1/4"	25-3/8"	4-1/2"	6"	20-3/4"
<b>P4</b>	28-7/8"	17-3/4"	22-3/4"	25-3/8"	4-1/2"	6"	20-3/4"
<b>P5</b>	28-7/8"	17-3/4"	26-1/4"	25-3/8"	4-1/2"	6"	20-3/4"
<b>P6</b>	28-7/8"	17-3/4"	29-3/4"	25-3/8"	4-1/2"	6"	20-3/4"
<b>P7</b>	28-7/8"	17-3/4"	33-1/4"	25-3/8"	4-1/2"	6"	20-3/4"



With a single, full-swing door and no baffles to remove, the flue passages are easily accessible for cleaning and servicing.



PurePro® offers a complete line of indirect-fired water heaters to complement the TRIO boiler.

Ask about the Plug 'n Go, the only pre-piped, pre-wired, packaged indirect water heater in the industry!

Available in 40 and 80 gallon models.

