

**INSTALLATION AND OPERATOR'S MANUAL
OIL FIRED CAST IRON BOILERS**

**Keep these instructions with the boiler at all times for
future reference**

**BOYERTOWN FURNACE Co.
PO Box 100
BOYERTOWN, PA 19512
1-610-369-1450**

www.boyertownfurnace.com

Be Aware of Hazard Definitions

- Danger** Denotes presence of a hazard which, if ignored, will result in severe personal injury, death or property damage
- Warning** Denotes presence of a hazard which, if ignored could result in severe personal injury, death or substantial property damage.
- Caution** Denotes the presence of a hazard, which if ignored, could result in minor personal injury or property damage
- Notice** Intended to bring attention to information, but not related to personal injury or property damage.

Danger This equipment must be installed, adjusted, serviced and started only by a qualified service agency – an individual or agency, licensed and experienced with all codes and ordinances, and who is responsible for the installation and adjustment of the equipment. The installation must comply with all local codes and ordinances and with the latest revision of the National Fire Protection Standard for Oil Burning Equipment, NFPA 31.

Read all instructions before proceeding. Follow all instructions completely. Failure to follow these instructions could result in equipment malfunction causing severe personal injury, death or substantial property damage.

Do not alter this boiler in any way. The manufacturer will not be liable for any damage resulting from changes made in the field to the boiler or its components or from improper installation. Failure to comply could result in severe personal injury, death, or substantial property damage.

Your oil fired boiler is designed to burn No. 1 and No. 2 heating oil only. Never use gasoline or a mixture of gasoline and oil.

Do not store gasoline or other flammable vapors and liquids in the vicinity of this or any other appliance.

The area around the boiler should be kept free and clear of combustible materials.

Never burn garbage or refuse in your boiler.

Never try to ignite oil by tossing burning papers or other material into your boiler.

Do not attempt to start the burner when excess oil has accumulated or the boiler is full of vapors.

Do not operate boiler if the heat exchanger is damaged.

Do not jumper, attempt to bypass or override any of the safety limit controls.

Do not use this boiler if any part has been under water. Immediately call a qualified service technician to inspect the boiler and replace any part of the boiler, control system or burner that has been under water.

All installations must conform to the requirements of the authority having jurisdiction. Such applicable requirements take precedence over the general instructions of this manual.

Where required by the authority having jurisdiction, the installation must conform to the American Society of Mechanical Engineers Safety Code for Controls and Safety Devices for Automatically Fired Boilers, ANSI/ASME CSD-1.

NOTICE Concealed Damage- If you discover damage to the burner, boiler or controls during unpacking, notify the carrier at once and file the appropriate claim. When calling or writing about the boiler please have the following information available: the boiler model number and serial number which is located on the upper left front of the unit. Record the model and serial number for future reference in the space provided in this manual.

Table of Contents

Ratings and Data.....	4
Clearances.....	5
Ventilation and Combustion Air.....	5
Boiler Assembly.....	6
Temperature Control Installation and Adjustment	
Boiler Trim Piping	
System Piping.....	7
Bypass Piping	
Low Water Cut-Off	
Relief Valves	
Expansion Tanks	
Venting Systems.....	8
Chimney Venting	
Direct Venting	
Burner Installation.....	13
Oil Tank and Piping.....	14
Wiring.....	14
Swing Door.....	16
Opening the Door	
Closing the Door	
Door Hinge Reversal	
Operation.....	16
Sequence of Operation	
Start Up	
Start Up Equipment	
Burner Adjustments	
Control Circuit Safety Checks	
Maintenance.....	19
Boiler	
Oil Burner	
Vent System	
Domestic Water Tank.....	20
Trouble Shooting Guide.....	21
Parts Diagrams.....	23
Warranty	24
Installation and Service Check List	25

Installation Clearances

WARNING Boilers in rooms shall be installed with the clearances from combustible materials not less than indicated below. Combustible materials are those made of or surfaced with wood, compressed paper, plant fibers, plastics, or other material that will ignite and burn, whether flame proofed or not, or whether plastered or not.

The boiler must not be installed on combustible flooring. The boiler is approved for installation on non combustible flooring only. The boiler must not be installed on carpeting or vinyl flooring

Minimum clearances to combustible construction are as follows:

TOP - 24 IN.

FRONT - 12 IN.

FLUE CONNECTOR SINGLE WALL VENT PIPING - 9 IN.

FLUE CONNECTOR DOUBLE WALL INSULATED DIRECT VENT PIPING – 2”

REAR - 2 IN.

SIDES - 2 IN.

Consult NFPA-31 for construction techniques where the above minimum clearances cannot be obtained

Minimum recommended clearances for service and access are as follows:

TOP - 24 IN.

FRONT - 24 IN. FROM BURNER

FLUE CONNECTOR - 9 IN.

REAR - 18 IN.

SIDES - 12 IN.

Note: When installed in a utility room, the door should be wide enough to allow the largest boiler part to enter, or to permit replacement of another appliance such as a water heater.

Ventilation and Combustion Air

Warning...Air openings to combustion area **MUST NOT BE OBSTRUCTED**. Adequate combustion air must be supplied at all times.

Ventilation of boiler room must be adequate enough to provide sufficient air for combustion.

When a boiler is located in an unconfined space in a building of conventional frame or masonry construction infiltration may provide adequate air for combustion and ventilation. If there is any doubt, install air supply provisions for combustion and ventilation in accordance with section 5.3, Air for Combustion and Ventilation, of the NFPA54 1988 code, it is recommend that you follow, the applicable provisions of the local building codes as well.

When a boiler is installed in a confined space, in a building of unusually tight construction, air for combustion and room ventilation must be obtained from the outdoors or from spaces freely communicating with the outdoors. A permanent opening or openings having a total free area of not less than 1 square inch per 5,000 BTU per hour of total input rating of all appliances shall be provided. Ducts may be used to convey make-up air from the outdoors and shall have the same cross-sectional area of openings to which they are connected.

When air for combustion and room ventilation is from inside buildings, the confined space shall be provide with two permanent openings, one starting 12 inches from the top and one 12 inches from the bottom of the enclosed space. Each opening shall have a minimum free area of 1 square inch per one thousand (1,000) BTU per hour of the total input rating of all appliances in the enclosed space, but must not be less than one

hundred (100) square inches. These openings must freely communicate with the interior areas having adequate infiltration from the outside.

When the boiler is installed in a confined space and all air is provided from the outdoors, the confined space shall be provided with two permanent openings, one commencing within 12 inches from the top, and one commencing 12 inches from the bottom of the enclosure. The openings shall communicate directly, or by ducts, with the outdoors or spaces (crawl or attic) that freely communicate with the outdoors. One of the following methods must be used to provide adequate air for ventilation and combustion.

1. When directly communicating with the outdoors, each opening shall have a minimum free area of 1 square inch per 4,000 BTU per hour of total input rating of all equipment in the enclosure.
2. When communicating with the outdoors by means of vertical ducts, each opening shall have a minimum free area 1 square inch per 4,000 BTU per hour of total input rating of all appliances in the enclosed space.
3. If horizontal ducts are used, each opening shall have a minimum free area 1 square inch per 2,000 BTU per hour total input rating of all appliances in the enclosed space.
4. When ducts are used, they shall be on the same cross sectional area as the free area of the openings to which they connect. The minimum dimensions of rectangular air ducts shall not be less than 3 inches.

In calculating free area using louvers, grills or screens for the above, consideration shall be given to their blocking effect. Screens used shall not be smaller than ¼ inch mesh. If free area through a design of louver or grill is known, it should be used in calculating the size opening required to provide the free area specified. If the design and free area is not known, it may be assumed that wood louvers will have 20-25% free area and metal louvers and grills will have 60-75% free area. Louvers and grills shall be fixed in the open position or interlocked with the boiler so that they are opened automatically during boiler operation.

Boiler Assembly

LOCATE BOILER...in front of final position before removing crate.

PROVIDE A LEVEL SOLID BASE as near chimney or direct vent as possible and centrally located with respect to the heat distribution system as practical.

The boiler must be placed within distances from boiler room walls and ceilings that comply with existing building codes and for ease of service.

THE BOILER IS SHIPPED IN TWO PACKAGES.

- a. Boiler and Cabinet Assembled and Crated
- b. Burner/Parts Box – Includes burner, aquastat and trim piping

LOCATE THE BOILER in the position to be assembled and piped.

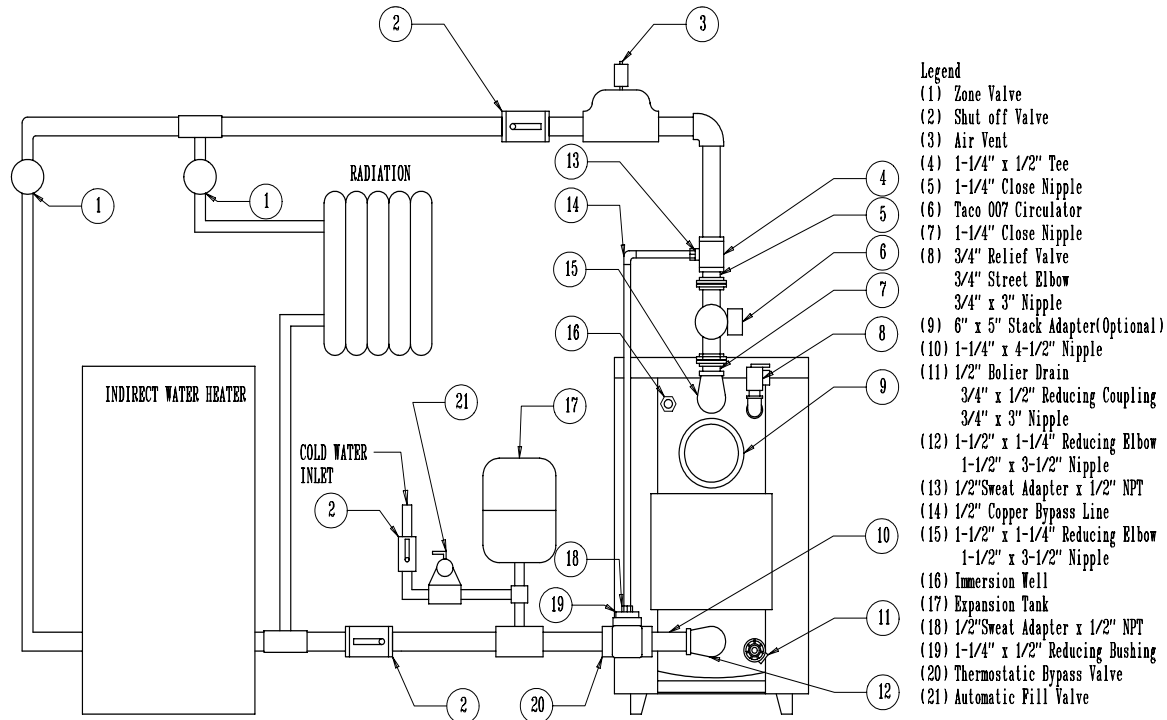
Remove crate, plastic protective wrapper and **INSPECT FOR DAMAGE**. All equipment is carefully manufactured, inspected and packaged by experienced workers. Our responsibility ceases upon delivery of the crated boiler to the carrier in good condition. **ANY CLAIMS FOR DAMAGE OR SHORTAGE IN SHIPMENT MUST BE FILED IMMEDIATELY** against the carrier by the consignee.

Temperature Controls Installation and Adjustment

1. Install the temperature control on the right side of the boiler. Attach the Honeywell L7248C1022 aquastat to the jacket side panel using sheet metal screws and the holes provided in the jacket panel. The sensor wires should be run through the bottom knockout in the aquastat. The rubber grommet provided with the sensor wires is to be securely inserted into the aquastat knockout.
2. Connect the sensor leads to the appropriate temperature control terminals.
3. Connect your line voltage and thermostat wires if applicable to the control. See electrical diagrams for proper connections.
4. The overall range of the High Limit is from 130°F to 220°F. Typically it would be set in the range of 180°F to 200°F.

Boiler Trim Piping

1. Pipe in the pressure relief valve with a $\frac{3}{4}$ " street elbow and with the $\frac{3}{4}$ " x 3" nipple in upper left side of the rear section. Relief valve discharge must be piped to a safe place of discharge.
2. Pipe in boiler drain with $\frac{3}{4}$ " x $\frac{1}{2}$ " reducing coupling and the $\frac{3}{4}$ " x 3" nipple in the lower left side rear section.
3. Install $\frac{3}{4}$ " pipe plug in the lower portion of the front section.



System Piping

Important... INSTALLATION MUST BE PERFORMED BY TECHNICALLY QUALIFIED SERVICEMEN

PurePro Trio boilers have a maximum operating pressure of 58 psi.

NOTE: If normal operating pressures are greater than 30psi please contact the manufacturer for required trim.

Pipes that are connected to boiler fittings must be supported and placed so that they do not create stresses on the boiler fittings themselves.

BY PASS PIPING IS RECOMMENDED ON ALL LOW MASS BOILERS WHERE THE BOILER RETURN WATER TEMPERATURE WILL OPERATE BELOW 130°F FOR EXTENDED PERIODS OF TIME SUCH AS HIGH WATER VOLUME SYSTEMS.

The PurePro Trio boiler is a highly efficient low mass boiler in which care must be taken to ensure that high volumes of low temperature water are not introduced into the boiler. Operating at return water temperatures below 130°F for extended periods of time will allow for the accumulation of condensation, scale and increased soot formation in the boiler. Corrosion and eventual heat exchanger failure will result. A thermostatic bypass valve is highly recommended on high water volume standing cast iron systems.

A thermostatic bypass valve will consistently ensure that return temperatures to the boiler exceed 130°F at all times. See Figure 1 for Thermostatic Bypass valve piping.

Instead of using a thermostatic bypass valve, bypass piping may be accomplished by placing a 3/4" bypass line with a throttling valve for regulation between the supply piping and return piping. Boiler return water temperatures must exceed 130°F with the bypass properly adjusted.

Low water cut off

Hot water boilers installed above radiation level must be provided with a low water cut off device at time of the boiler installation.

Relief Valves

Relief valves are to be properly piped in to conform to code standards. Discharge piping from the relief valve must be piped to a drain or must terminate 6" above the floor to eliminate damage to the structure or personal injury. It must not be piped to a point where freezing may occur.

Expansion Tanks

The expansion tank must be properly sized to the system requirements. An undersized expansion tank will cause system water to be lost through the relief valve and make up water to be introduced through the fill valve. Continual introduction of fresh water will cause boiler failure.

VENTING

WARNING

Failure to follow all instructions can result in flue gas spillage and carbon monoxide emissions, causing severe personal injury or death. All chimneys must meet the requirements of NFPA 211 and NFPA 31

Chimney

The boiler must be connected to an adequate chimney or an approved venting system in accordance with these instructions. An adequate chimney or venting system is one that is sealed and lined with the capability of producing a -.04" W.C. flue draft and having the capacity to handle the amount of flue gas that is introduced. A chimney with an internal construction of corrosion resistant tile, stainless steel, or some other material that will withstand flue gas temperatures up to 1000°F is required.

Masonry and metal chimneys shall be constructed in accordance with applicable building code requirements. Masonry chimneys shall be lined with an approved clay tile liner or a listed chimney lining system installed in accordance with manufacturers' instructions and also meeting the requirements of NFPA-211 Standard for Chimneys, Fireplaces, Vents, and Solid Fuel-Burning Appliances. Metal chimneys also shall meet the requirements of NFPA-211. Factory built chimneys shall be listed and shall be installed in accordance with their listing and NFPA-211.

Prior to installation of the boiler, the chimney or venting system shall be examined by the installer and determined to be in good condition. All joints of the chimney must be tightly sealed. The inside of the chimney should be free of all obstruction, such as loose brick, broken pieces of tile, or corroded metal. If chimney flues are divided or there are multiple flues within one chimney, make sure there are no openings in the partition separating the divided or individual flues. When a new appliance is connected to an existing chimney, that chimney shall be brought up to current requirements. Chimneys which are relined shall be done so with an approved liner that will resist corrosion, softening, or cracking from the flue gasses.

All chimney clean-out doors and flue connections must fit tightly so they will seal to avoid air leakage.

The inside area of the chimney liner should equal, at a minimum, the area of the vent pipe exiting the boiler. If more than one appliance is installed, the area of both appliances shall be used in determining the required inside area of the chimney.

The flue gas exit of a chimney shall be at least 3 feet above the highest point where it passes through the roof of a building and at least 2 feet higher than any portion of a building within 10 feet of such chimney.

The chimney height will also be determined by the height of the surrounding trees, buildings and terrain. When chimney downdraft conditions cause faulty operation that creates a hazard, corrective steps must be taken.

When altering the surrounding obstructions is not possible, a chimney cap can be constructed on the top of the chimney to avoid downdrafts. The chimney cap should be pyramid shaped on the top with a perfectly flat surface immediately above the chimney outlet. The hood should be attached by four (4) iron supports. The four iron supports should be equal in height to the width of the chimney opening. Four plates, flaring down, can be added to help insure that the wind will pass straight over the chimney outlet.

Chimney Relining

A tile lined masonry chimney serving an oil fired boiler should comply with applicable building codes such as NFPA-211. An additional listed lining may be required to reduce transient low draft during startup and acid water condensation during cyclic operation. This is particularly true for high mass masonry chimneys serving oil fired boilers of higher efficiency. For masonry chimneys, local experience can indicate how well construction has withstood the lower temperatures produced by higher efficiency boilers.

Evidence of potential or existing chimney damage should be determined by visual inspection of the chimney and liner. Exterior indicators such as missing or loose mortar/bricks, white deposits on the brick or water stains on the interior building walls should be investigated further. The operational flue temperatures for boilers range from 350°F to 450°F at the outlet of the boiler. These temperatures are further reduced before reaching the chimney due to heat loss through the vent connector and dilution from the draft regulator. The resulting flue gas temperatures may become low enough to form condensation on the chimney liner walls.

To prevent condensation, it is necessary that the internal chimney wall temperature always be kept above the dew point of the flue gasses. If the chimney is a masonry type, it may have to be lined with a flue liner, if the temperature loss is too great for the boiler. A liner will act as an insulator and reduce the flue gas temperature loss. Insulation may be added around the liner for further temperature stability. Refer to NFPA-31 for recommended liner sizing tables as developed by the Oil Heat Vent Analysis Program.

Chimney Connector

The chimney connector pipe between the boiler and chimney shall be of equal diameter as the flue outlet of the boiler. Refer to boiler specifications in this manual for proper size flue pipe for your model boiler. Any reduction in size required for the chimney must be made at the chimney connector. The vent connector pipe must be made of 24 gauge (or thicker) corrosion-resistant steel. The vent connector pipe should be as short as possible and installed so that it has a continuous rise from the boiler to the chimney. Long horizontal vent runs can result in the possibility of condensation in the flue pipe or the chimney. All horizontal runs of vent connector pipe should be pitched upward a minimum of 1/4 inch per foot of run. The horizontal length of the vent pipe connector shall not exceed 10 feet. The chimney connector shall be installed so as to minimize the number of elbows and to avoid sharp turns or other construction features that would create excessive resistance to the flow of flue gasses. Tees may be used in a straight section in conjunction with a barometric draft regulator; however, they must not be used for a 90° turn. No device that will obstruct the free flow of flue gasses shall be installed in the chimney connector. This does not exclude the use of devices specifically designed for the use in chimney connectors such as automatic dampers. The vent pipe should be joined with metal screws and supported by straps. A thimble should be used to connect the vent connector pipe to the chimney so the pipe may be readily removed in case of inspection or replacement.

No chimney connector shall pass through any floor or ceiling. The vent connector pipe must not pass through a combustible wall or partition unless they are guarded at the point of passage by a ventilated metal thimble not less than 12 inches larger in diameter than the connector, on metal or fireclay thimbles adequate protection is provided at the passageway. An acceptable passageway could be either an approved, ventilated metal thimble which is at least 12 inches larger in diameter than the vent connector pipe, or brick work

which is at least 8 inches thick constructed into the wall and surrounding the vent connector

Clearances from combustible materials shall be in accordance with the clearances given. The vent connector pipe should extend only to (and not beyond) the inside wall of the chimney. A thimble should be used to connect the vent connector pipe to the chimney so that the vent connector pipe may be readily removed in case of inspection or replacement.

Connection to the chimney must be made above the bottom of the chimney to avoid blockage. Vent piping should extend just into the chimney far enough to expel flue gasses. Inserting the vent piping too far into the chimney will cause undue obstruction. Use a thimble or a slip joint where vent pipe enters the chimney to allow easy removal for cleaning.

If a draft regulator is required in the vent piping; it should be located at least 24 inches from the boiler if possible in either a horizontal or vertical section of the vent pipe. The draft regulator must be installed in the same room as the boiler and in such a manner that there is no difference in pressure between the air in the vicinity to the regulator and the combustion air supply. Ensure that the barometric damper is accessible for adjustment.

With the burner operating, use a draft gauge to adjust the regulator to the proper setting (see instructions enclosed with draft gauge to adjust the regulator to the proper setting). When the burner air supply and draft are properly adjusted, the draft in the flue should be a negative .02" W.C. to negative .04" W.C.

Two or more oil burning appliances each equipped with a safety control may be permitted to be connected to one common chimney if sufficient draft is available for the safe simultaneous removal of all products of combustion.

If two or more openings are provided into one chimney, they shall be at different levels on the same story of the building, with the smaller appliance entering at the highest possible level consistent with clearances to combustible materials.

Two or more connectors shall not be joined together unless the common connector, manifold and chimney are properly sized. Adequate draft must be available to safely remove all products of combustion simultaneously without leakage, or back flow.

Direct Venting

WARNING

Failure to follow all instructions can result in flue gas spillage and carbon monoxide emissions, causing severe personal injury or death. All installations must meet the requirements of NFPA31. Use only the ETL listed venting system components supplied with the packaged boiler. All vent connections must be securely fastened and sealed with high temperature sealant.

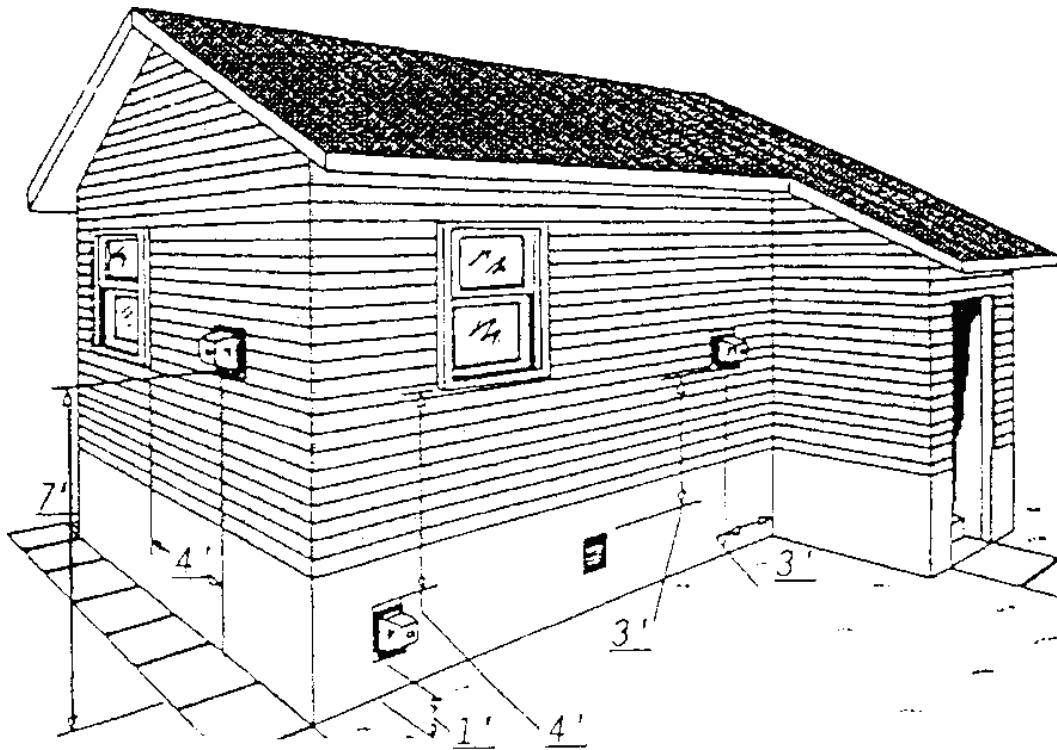
Caution

External vent surfaces are hot. Surface discoloration of the building may occur due to improper burner or boiler adjustment. We will not accept any liability for such discoloration.

Follow all instructions which are included with your specific direct vent kit.

1. Choose the vent location. The preferred location of venting system is on the opposite wall of the known prevailing winds.
2. The exit terminal of the system must conform to the following guidelines. See figure on following page.
 - a. The vent terminal shall not be less than 3 feet above any forced air inlet to the house.
 - b. The vent terminal shall not be less than 4 feet below, 4 feet horizontally, or 1 foot above any door window or gravity inlet into the building.

- c. The vent terminal shall be installed at least 1 foot above ground. The vent must be maintained to keep the location 1 foot above any solid surface including snow, ice and landscape materials. The vent shall not be installed in a window well or any other fabricated depression.
- d. The vent terminal shall not be less than 2 feet from an adjacent building.
- e. The vent terminal shall not be less than 7 feet above grade when located adjacent to public walkways.
- f. The vent terminal shall not be located so that flue gasses are directed to jeopardize people or overheat combustible structures, materials or enter buildings.
- g. All joints in the vent system are to be sealed with Permatex high temperature sealer or equivalent to prevent the leakage of products of combustion into the building



3. COMBINATION AIR INTAKE/VENT SYSTEM

The vent system consists of 10 or 15 foot lengths of double wall insulated flexible stainless vent piping and an equal length of 4" air intake piping and a stainless steel intake/vent termination end.

Consult the Direct Vent manual included with the direct vent kit for more detailed installation instructions.

The hole thru the wall for the vent termination end should be $\frac{1}{4}$ " larger than the vent termination end itself or approximately $7\frac{1}{4}$ " square.

Install the vent termination thru the opening in the wall centering it in opening. Apply a bead of silicone caulking around the perimeter of the vent termination end. Attach the termination to the house by screwing it fast thru the holes in the termination end.

Install the flexible vent piping with the provided connector between the boiler and the termination end. The joints at the boiler, vent connectors, and termination end should be securely fastened and must be sealed with high temperature silicone to prevent leakage of flue gasses.

THE MINIMUM DISTANCE TO COMBUSTIBLE MATERIALS FROM THE 5" SINGLE WALL VENT PIPING IS 9". THE MINIMUM DISTANCE TO COMBUSTIBLE MATERIALS FROM THE 5" DOUBLE WALL INSULATED VENT PIPING IS 2". CONSULT NFPA-31 FOR REDUCED CLEARANCES.

The air intake must be installed to the air inlet collar on the combination vent hood and to the burner.

The air intake kit consists of one 4" galvanized elbow, one 4" galvanized tee, one vacuum relief valve (barometric damper), and one length of 4" flexible piping.

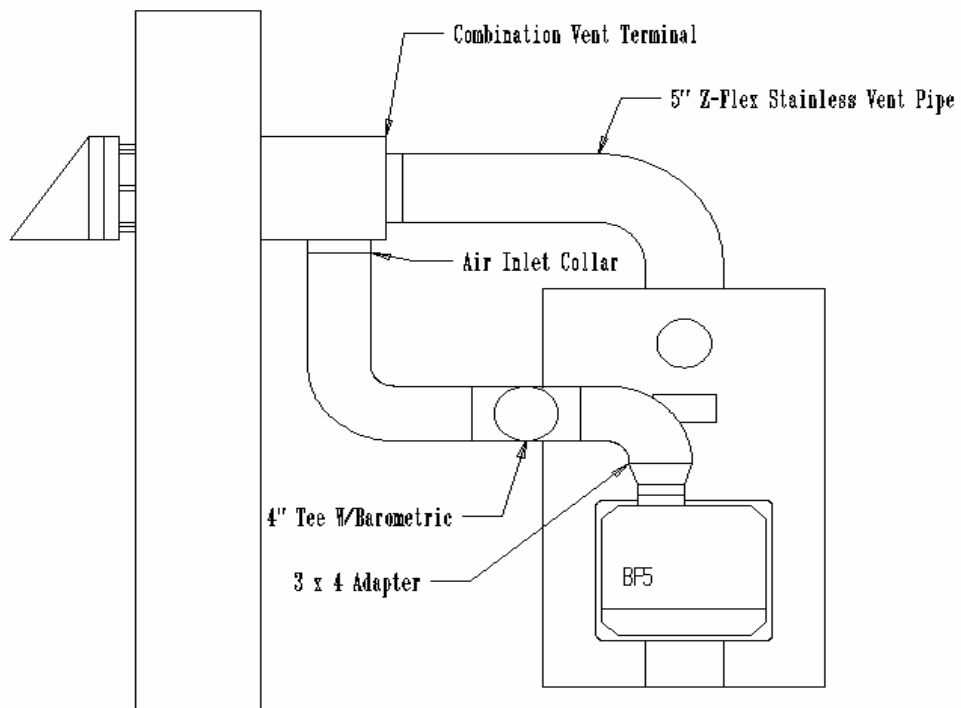
The vacuum relief valve (barometric damper) is to be assembled and then installed in the 4" tee with the hardware provided. Install the fresh air intake duct tee and damper as close as possible to the burner.

The purpose of the damper is to act as a vacuum breaker in the event of a blockage in the air intake.

NOTE: The balance weight of the vacuum relief valve must be installed in a level position and adjusted to lightly close while burner is operating. Be sure to lock the balancing weight after adjustment.

ALL JOINTS IN THE AIR INTAKE ASSEMBLY MUST BE SECURELY FASTENED.

THE MAXIMUM LENGTH OF FLEXIBLE AIR INTAKE DUCT, WHICH CAN BE RUN TO THE BURNER, IS TWENTY FEET PLUS THE LENGTH THAT RESULTS FROM THE 4" TEE AND 4" ELBOW SUPPLIED.



DIRECT VENT OIL BURNERS

Riello Burners

All Riello direct vent burners are shipped with the nozzle for the P3D installed. A separate nozzle is included in the burner carton for the P4D and P5D. See the burner set up page or the Installer Serviceman Label attached to the boiler for the appropriate burner settings.

Boilers supplied with Riello burners will also be supplied with a 3" to 4" galvanized adapter.

The adapter is to be fastened directly to the flange opening on the burner cover using three sheet metal screws.

The Riello BF5 burners for use with direct vent systems are shipped with the controls, which provide pre and post purge. Pre purge is provided to ensure clean starts under all conditions. Post purge is provided to ensure that the boiler fires at maximum efficiency and dependability throughout the heating season. Post purge timing is variable. **The factory set post purge timing should be set at approximately 45 seconds. Post purge times in excess of 60 seconds when using the Riello burner will cause the Honeywell Aquastat to lock out on an error code Err4 B1 fault.**

Beckett Burners

Boilers supplied with the Beckett NX burner are supplied with an inlet air adapter which must be installed in place of the inlet air louvers. Refer to the Beckett NX burner manual.

Beckett NX burners for use with direct vent systems are shipped with the controls, which provide pre and post purge. Pre purge is provided to ensure clean starts under all conditions. Post purge is provided to ensure that the boiler fires at maximum efficiency and dependability throughout the heating season.

Post purge of the oil burner is controlled through the electronic circuitry supplied on the oil burner primary control. The factory set post purge timing is set at approximately one minute.

Burner Installation

The burner is mounted to the door with (4) 8mm studs, nuts and washers (located in the burner trim bag). Thread the (4) studs in to the (4) M8 holes threaded to permit connection to the burner. Thread the shorter length of stud into cast door.

Check that the correct nozzle is properly installed in the burner as shown in the preliminary burner settings and that the burner electrode are adjusted as per the oil burner manual.

When using the Beckett AFG oil burner on the three or four section boiler, the opening in the refractory on the door must be enlarged to insert the oil burner without damaging the door refractory. Use a sharp utility knife to carefully trim the opening to size.

The oil burner when properly installed will extend beyond the refractory liner of the burner door.

Riello - will extend approximately 2" beyond the refractory on the swing door.

HeatWise - will extend approximately 3" beyond the refractory on the swing door.

Beckett AFG - will extend approximately 4-1/8" beyond the refractory on the swing door.

Beckett NX - will extend approximately 2-3/4" beyond the refractory on the swing door.

Check that there is a complete seal between the door and the burner flange after installing ceramic fiber seal furnished with the burner.

Oil Tank and Piping

Oil tanks and piping should be installed in accordance with the National Board of Fire Underwriters and local codes.

Connection of the flexible oil line to burner must be positioned to permit easy opening of the burner swing door.

Use continuous heavy walled copper tubing with flare fittings only. Do not use compression fittings.

Do not run overhead fuel lines from tank to oil burner.

Fuel pump supply and return connections should be made according to instructions attached to the fuel pump.

An oil line filter and shut-off valve should be installed in the suction line.

On a two- pipe system you will need to supply a second approved flexible oil line in order to be able to swing the burner door open without disconnecting oil lines. An optional flexible oil line is available through your distributor.

Electrical Wiring

ELECTRICAL WIRING MUST CONFORM TO THE NATIONAL ELECTRICAL CODE, ANSI/NFPA No. 70-1990 AND LOCAL CODES.

THE BOILER MUST BE ELECTRICALLY GROUNDED AND ON A SEPARATE FUSED DISCONNECT SWITCH.

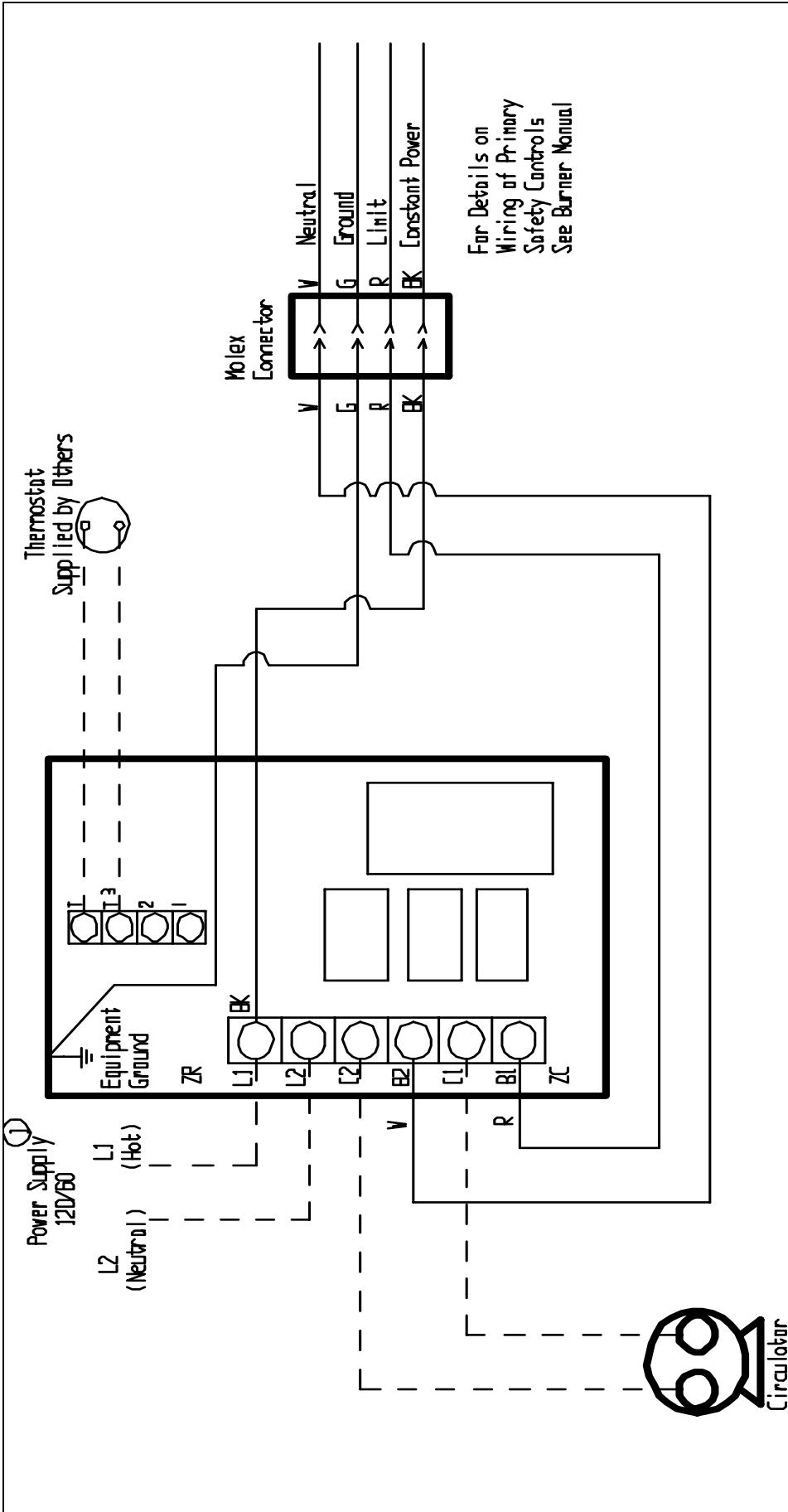
ELECTRICAL SHOCK IS HAZARDOUS. TURN OFF ALL POWER SUPPLIES AT SERVICE ENTRANCE BEFORE STARTING TO MAKE WIRING CONNECTIONS OR REPAIRS.

Refer to wiring diagrams in rear of manual for electrical connections. The boiler should be connected by a separate, permanently live electrical supply line with a 15 amp fused rating. Use No. 14 AWG wires rated for at least 90° C. Install a separate fused disconnect switch near the boiler so power can be shut off for servicing.

Caution: Label all wires prior to disconnection when servicing controls. Wiring errors can cause improper and dangerous operation. Verify proper operation after servicing.

Install the room thermostat on an inside wall away from fireplaces, appliances or sunlight. Set the heat anticipator according to the instructions from the aquastat manufacturer. Connect the thermostat leads to the "TT" connections on the aquastat control or system control.

The indirect water heater, if used, should be wired in such a fashion that the heat to the building is temporarily interrupted when there is a demand for domestic water. Commercially available circulator prioritizing packages are available. Consult factory for their application.



Note.
C1/Z2 aquastat terminals may not be used on multiple zone systems using circulators. Additional circulator relays are required

Wiring Key

- _____ Factory Supplied Wire Harness
- _____ Field Connection Required to Aquastat
- Field

- BK - Black
- W - White
- R - Red
- G - Green

Ⓛ Provide Overload and Disconnect Means as Required

-	-	-	-
REV	DESCRIPTION	BY	DATE
BOYERTOWN FURNACE CO.			
Pure Pro Trio - Honeywell L7248			
DRN BY	DATE	SCALE	CHK'D BY
MATERIAL	12-29-08		
	PART NO	DRG NO.	REV
		WEBB-001	-
TOLERANCE (unless spec)		+/- .015	

Swing Door

Opening the Door

1. Turn off power to boiler.
2. Allow boiler to cool down.
3. Unplug the burner power cable at factory-supplied burner Molex plug electrical disconnect.
4. Lift the front jacket panel up and off the boiler.
5. Remove the four nuts from swing door studs.
6. Swing open burner door to the left while gently lifting to prevent rubbing of door studs.

Closing the Door

1. Swing burner door to right while lifting at the burner to prevent the door from rubbing on the lower (2) 8mm studs until the insulation is slightly compressed and the studs are exposed.
2. Install the nuts onto the upper studs.
3. Attach nuts to the lower studs and hand tightening only.
4. Tighten the upper nuts first followed by the lower nuts until a complete seal is made.

Door Hinge Reversal

WARNING:

IN ORDER TO MOVE THE DOOR HINGES SAFELY TO THE RIGHT SIDE YOU MUST MOVE THE TEMPERATURE CONTROL TO THE LEFT SIDE CABINET PANEL. THIS IS TO INSURE POWER IS SAFELY REMOVED FROM THE BURNER WHEN OPENING THE BURNER SWING DOOR. FAILURE TO DO SO MAY RESULT IN PROPERTY DAMAGE OR SERIOUS INJURY.

1. The knock out on the upper left side panel of the cabinet must be removed and a snap plug will have to be installed to close up the hole for normal aquastat position on the right side jacket panel.
2. Install the box connector into the left side jacket panel.
3. The plastic anti short bushings in the upper brackets must be removed from the holes in the right side and placed in the holes on the left side of the upper brackets.
4. The 3/4" aquastat immersion well must be moved to the upper left rear 3/4" tapping and the relief valve must be installed in the upper right rear 3/4" boiler tapping.
5. The 48" sensor wires must be run through the upper left side brackets and through the 1/2" electrical fitting in the left side panel.
6. Install the temperature control on the boiler left side jacket panel.
7. Remove the hinges from the left side of the boiler.
8. Remove the 8mm stud from the left lower position and install in the right lower position.
9. Reinstall the hinge brackets using the 8mm bolt for upper hinge and nut and washer on lower hinge.
10. Riello Burner - Remove the burner Molex wiring harness from the right side of the burner and install on the left side of the burner.
Beckett Burner – Remove the Molex wiring harness from it's existing position in the burner junction box and place it in the knock out marked number 2.

Operation

Sequence of Operation

Honeywell L7248 Aquastat Control.

If the room temperature or indirect water heater falls below the thermostat setting a call for heat will start the burner and circulating pump. The burner and pump will continue to operate until the room heating or domestic water requirements are met. In the event the boiler water temperature reaches the High Limit setting the burner will shut off with the circulator continuing to operate. If the thermostat continues to call for heat and the boiler temperature falls below the High Limit setting the burner will restart.

Start-Up

Warning...Use only ... No. 2 fuel oils.

Note: Do not attempt to start the burner if excess oil has accumulated.

Note: Do not use gasoline, crankcase draining or any oil containing gasoline.

1. Make sure that normal water level has been obtained in the boiler and system.
2. Check that all safety devices are in place.
3. Check that thermostats are correctly connected and set.
4. Check that the inside of the boiler is free of any fuel residue or foreign materials and that the ceramic fiber insulation on the burner door has not been damaged.
5. Check oil burner nozzle to ensure that the right size and type is installed and tight in the adapter. See preliminary settings for proper nozzle size and type.
6. Check electrode settings, as they may have been jarred out of position during transportation. See oil burner instructions for nozzle and electrode setting
7. Check that the Burner mounting bolts are tight.
8. Lubricate burner motor and circulator motor if required.
9. Open all oil lines valves.
10. Set room thermostat to call for heat.
11. Set aquastat high limit between 180°F and 200°F
12. Turn service switch on. Burner should start. On one pipe fuel system only you may have to bleed the oil system. To bleed attach a clear plastic tube to the oil pump bleed port and allow oil to run until all the air is out of the oil suction line feeding the oil burner. See burner and fuel pump manufacturers recommendations for proper bleeding of the fuel system.
13. Turn "OFF" burner and install pressure gauge into the gauge port on the pump. See the burner manufacture's manual for location of ports.
14. Start burner again and check oil pressure for conformance to preliminary oil burner settings. Adjust if necessary. See oil burner manufacturer's instructions for pump adjustment.

Start-up Equipment

THE FOLLOWING PROPER COMBUSTION INSTRUMENTS ARE REQUIRED TO DETERMINE PROPER AIR ADJUSTMENTS AND DRAFT WHEN SETTING UP OR SERVICING THE OIL BURNER.

1. CO₂ Analyzer
2. Draft gauge
3. Fuel pressure gauge
4. Stack thermometer
5. Smoke tester

Do not attempt to make any adjustments or start the boiler without the proper equipment.

Burner Adjustments

Allow the burner to operate for at least 15 minutes and then make the following adjustments.

1. Chimney vented— A 5/16" diameter hole will be required in the flue pipe between the boiler and the barometric damper as close to the boiler as possible. Set the draft regulator (barometric damper) using a draft gauge to obtain a negative draft in the flue pipe of -.02 to -.04 in. W.C. Take a draft reading from the inspection port of the boiler. This over-fire reading will be a positive pressure. Approximate over-fire draft readings can be found in the burner settings table.
2. Direct vented – Take a draft reading from the inspection port of the boiler. This over-fire reading will be a positive pressure. Approximate over- fire draft readings can be found in the burner settings table.

3. Pump pressure – Install a pump pressure gauge in the oil pump following the oil burner manufacturer’s recommendations. Adjust the pump pressure as per the preliminary burner settings.
4. Combustion Set-up – The air settings shown in the table are approximate. The burner must be adjusted during actual field installed conditions. Failure to do so will result in poor boiler performance and nuisance service calls. After proper draft and oil pressure have been established:
 - a. Begin to close the air band to create a slight trace of smoke as noted on the Bacharach or equivalent smoke tester scale.
 - b. Take a flue gas sample and note the CO₂ reading. It will be about 13% to 14%
 - c. Open the air band to reduce the CO₂ approximately 2%.
 - d. Check for “0” smoke. Head settings and/or air band may be altered to obtain the above results. Lock the air band and head setting screws in place.

The above procedure will give a built in margin to ensure clean operation throughout the heating season. Should draft conditions vary, lint accumulate in the fan, heavier oil delivered, or other adverse conditions be encountered you will have a reasonable margin of built in protection before smoke generation begins.

Preliminary Burner Settings

Boiler	Burner	Nozzle	Air Setting	Turbulator/ Head	Pump Press	CO ₂	Draft Overfire	Smoke
P3	Riello F5	.65x80°B	2.50	0.5	150 PSI	11.0%	+.02	#0
	Beckett AFG	.60x70°B	6/0	N/A	160 PSI	11.4%	+.02	#0
	Beckett NX	.60x60°B	N/A	1.50	160 PSI	11.0%	+.02	#0
	HeatWise P1	.60x60°A	8.00	4.0	150 PSI	11.0%	+.02	#0
P3D	Riello BF5	.65x80°B	3.25	0.5	150 PSI	11.0%	+.05	#0
	Beckett NX	.60x60°B	N/A	1.50	160 PSI	12.0%	+.05	#0
P4	Riello F5	.85x80°B	3.25	0.5	150 PSI	11.0%	+.04	#0
	Beckett AFG	.75x60°B	7/1	N/A	160 PSI	11.3%	+.04	#0
	Beckett NX	.85x60°B	N/A	3.00	140 PSI	11.0%	+.04	#0
	HeatWise P2	.85x80°B	7.50	4.0	150 PSI	10.5%	+.04	#0
P4	Riello BF5	.85x80°B	4.75	1.0	150 PSI	11.0%	+.08	#0
	Beckett NX	.85x60°B	N/A	3.00	140 PSI	11.0%	+.08	#0
P5	Riello F5	1.00x80°B	3.00	4.0	150 PSI	11.0%	+.07	#0
	HeatWise P2	1.00x80°B	4.00	6.0	160 PSI	10.5%	+.07	#0
	Beckett NX	1.00x60°B	N/A	4.00	150 PSI	11.0%	+.07	#0
P5D	Riello BF5	1.00x80°B	4.75	4.0	150 PSI	11.0%	+.11	#0
	Beckett NX	1.00x60°B	N/A	4.00	150 PSI	11.5%	+.11	#0
P6	Riello F5	1.25x80°B	5.75	4.0	150PSI	11.0%	+.09	#0
	Beckett NX	1.25x45°B	N/A	2.00	140 PSI	11.1%	+.09	#0
	HeatWise P2	1.25x70°B	5.50	8.0	150 PSI	11.5%	+.09	#0
P7	HeatWise P2	1.75x70°B	8.00	12.0	100PSI	12.0%	+.11	#0
	Beckett NX	1.35x45°B	N/A	3.00	150 PSI	12.0%	+.11	#0

Control Circuit Safety Checks

Check the safety controls on the boiler after completing the oil burner adjustments. A safety control check for satisfactory performance must be performed.

1. High limit control - Remove the temperature control cover as needed and note temperature setting. With the burner running reduce the high limit setting until the burner shuts off. Return the high limit to its original setting.

2. To check the primary control and flame sensor shut off oil supply with hand valve while burner is running, fifteen seconds after flameout, the safety switch locks out, ignition stops and the oil valve should close. To restart, open oil supply valve and reset safety switch.

Maintenance

IMPORTANT

Escaping gasses are dangerous. A qualified serviceman should inspect the entire flue and venting system at least once a year.

Do not use the boiler if any part has been under water. Call a qualified service technician to inspect the boiler and replace any part of the control system, which has been under water.

Never operate this appliance with any safety switches altered or disabled. Never attempt to modify this appliance in any fashion.

Oil Filter

The oil filter cartridge should be replaced annually.

Boiler

At the beginning of each heating season, the boiler flue passages and the oil burner should be checked for cleanliness and if necessary they should be cleaned. The following procedure is required for inspection and cleaning the boiler flue passages.

1. Turn off all electrical power to the boiler before inspecting and cleaning.
2. Disconnect the Molex plug at burner.
3. Remove the boiler front jacket panel by lifting vertically.
4. Open the swing door following previously described procedure.
5. If required remove scale and any soot deposits with a flexible flue brush. Vacuum all deposits from flue passages and chamber area. Be careful not to damage the door insulation.
6. Close swing door following previously described procedure. Check to ensure a proper seal between the door and the boiler has been made.
7. Eliminate any combustion gas leaks by replacing worn seals and gaskets.
8. Install jacket front panel.
9. Connect Molex plug for burner power.
10. Avoid emptying the heating system. Introduction of fresh water will only add contaminants which will increase the possibility of rust and scale.
11. Protect the heating system against freezing dangers with anti-freezes as required. Avoid intercommunications between domestic hot water and heating water since these antifreezes are toxic substances.
12. Check the piping system for leaks and repair as required. This will prevent water turnover with consequent risk of scale formation and corrosion in the boiler room.
13. Lift the lever of the pressure relief valve on the boiler to make sure that it is functioning properly. The pressure relief valve should be open before the water pressure exceeds the 30PSI. If the relief valve is leaking, replace immediately. Corrosion can build up rapidly at the valve seat and prevent its functioning as a safety device.

Oil Burner

1. Thoroughly clean the burner fan blades. Only with clean fan blades is proper combustion air delivery possible.
2. Clean nozzle assembly and all air handling parts.
3. Check spacing and condition of ignition electrodes. Clean and replace as required.

4. Nozzles should be inspected every year for plugged orifices. If it is necessary to replace the nozzle, use only the specified nozzle to be sure that the replacement meets spray specifications for the boiler burner combination.
5. Consult oil burner manufacturer's instructions for additional maintenance requirements.

Vent System

Chimney Vent- Inspect the chimney to ensure its cleanliness, the proper size, in good condition. Remove any accumulation that may have occurred at the clean out door. Inspect and clean all vent piping, replacing as necessary.

Direct Vent – Inspect and clean vent and air intake piping. Replace and reseal joints as required. Inspect vent hood air inlet and discharge for obstruction.

Domestic Hot Water Storage Tank

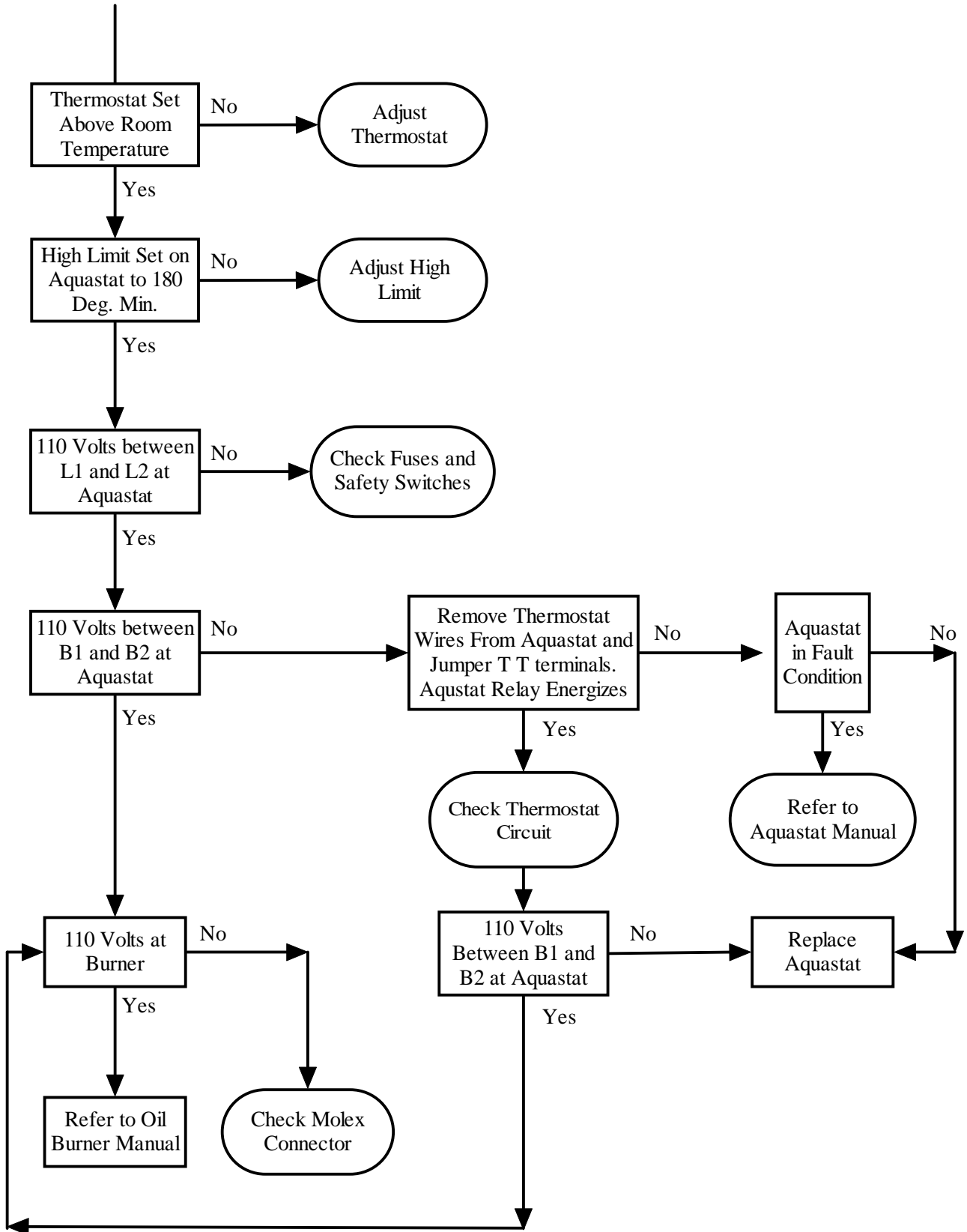
1. Sizing of the hot water tank must be matched with the hot water usage.
2. Piping must be in accordance with the appropriate codes and the PurePro Trio manual.
3. Follow the installation instructions of the hot water domestic tank you have chosen to install with the PurePro Trio boiler.

Danger... Water temperature exceeding 125 F will cause severe burns instantly or death by scalding.

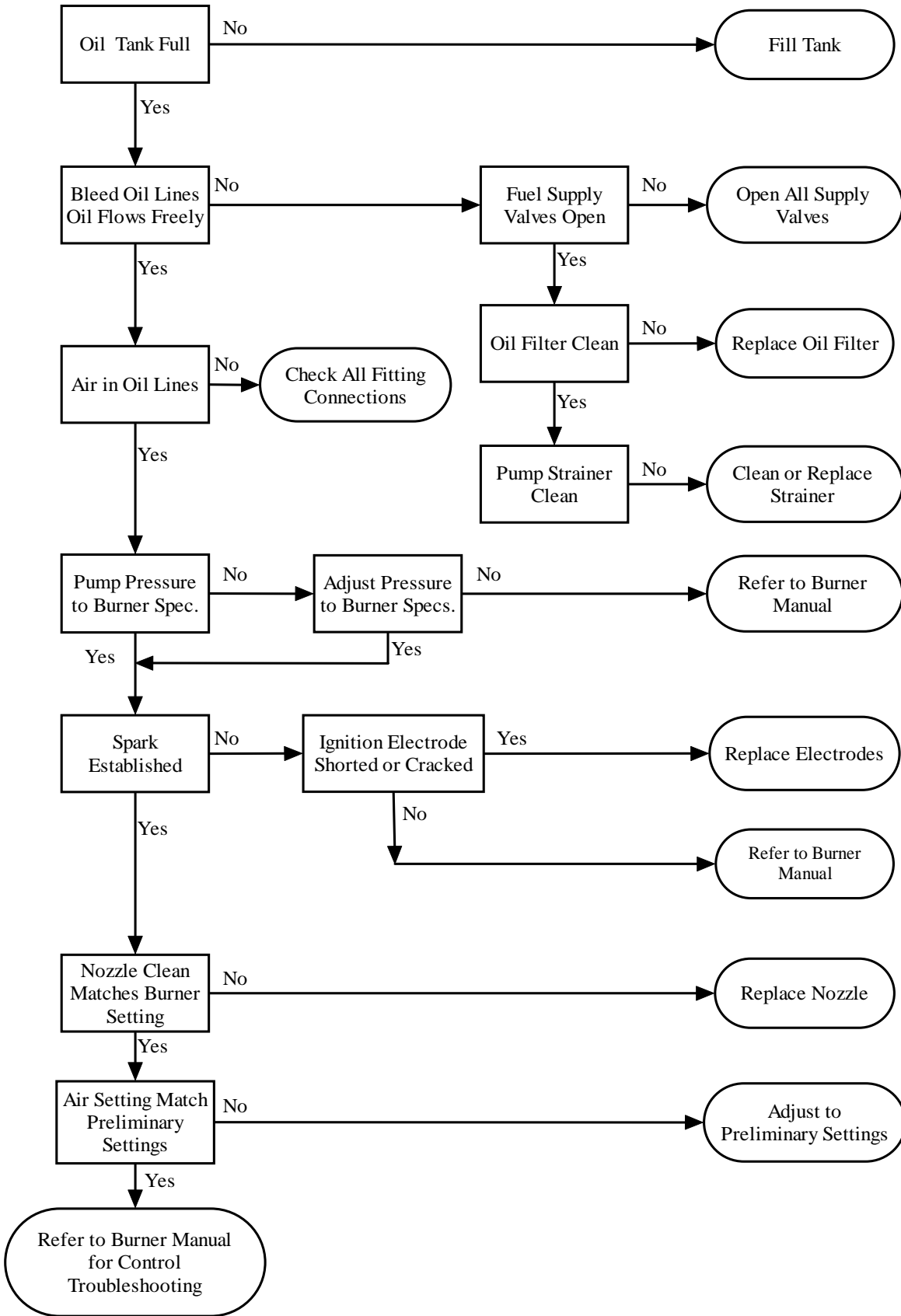
- An automatic mixing valve must be installed on the outlet of the domestic waterside of the tank. Installation must comply with the valve manufacture's recommendations, and instructions.
- Pipe in accordance with the installation manual.
- Due to varying water conditions, an adjustable flow restrictor may be required in the coldwater inlet of the tank.

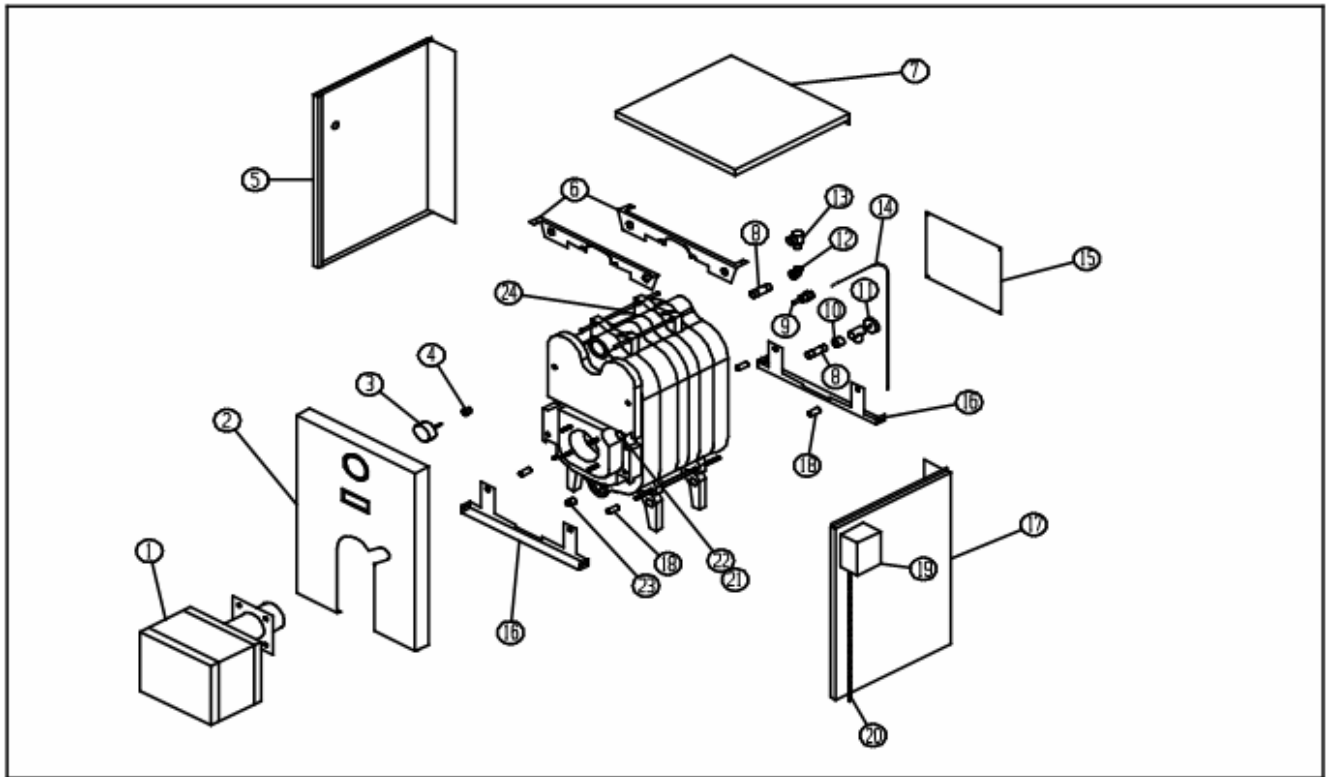
Trouble Shooting Guide

Burner Will Not Start



Burner Goes Off On Safety





Item	Qty.	Description	P3	P4	P5	P6	P7
1	1	Riello F-5 Oil Burner	541151	541147	541148	541149	N/A
1	1	Beckett NX Oil Burner	541160	541161	541162	541163	541164
1	1	Beckett AFG Oil Burner	541170	541171	N/A	N/A	N/A
1	1	Heatwise SU2A Gas Burner	542243	542243	542243	542243	542243
2	1	Jacket Front Panel	508000W	508000W	508000W	508000W	508000W
3	1	Temperature/Altitude Gauge	559560	559560	559560	559560	559560
4	1	Bushing 1/2" x 1/4"	310400	310400	310400	310400	310400
5	1	Left Side Jacket Panel	508030W	508060W	508090W	508120W	508150W
6	2	Jacket Upper Bracket	508170	508170	508170	508170	508170
7	1	Jacket Top Panel	508020W	508050W	508080W	508110W	508140W
8	2	Nipple 3/4" x 3"	328003	328003	328003	328003	328003
9	1	Immersion Well Honeywell	552810	552810	552810	552810	552810
10	1	Reducing Coupling 3/4" x 1/2"	328001	328001	328001	328001	328001
11	1	Drain Valve 1/2"	328000	328000	328000	328000	328000
12	1	Street Elbow 3/4"	328002	328002	328002	328002	328002
13	1	Relief Valve 3/4" Female	570181	570181	570181	570181	570181
14	1	Sensor Honeywell 48"	552121	552121	552121	552121	552121
15	1	Jacket Rear Panel	508010W	508010W	508010W	508010W	508010W
16	2	Jacket Lower Bracket	508180	508180	508180	508180	508180
17	1	Jacket Right Side Panel	508040W	508070W	508100W	508130W	508160W
18	4	Spacer 1-9/16" x 1/2"	594500	594500	594500	594500	594500
19	1	Honeywell L7248 Aquastat	552125	552125	552125	552125	552125
20	1	Wire Harness – Riello Burner	562094	562094	562094	562094	562094
20	1	Wire Harness – Beckett Burner.	562095	562095	562095	562095	562095
21	1	Pipe Plug 1/4" Brass	712350	712350	712350	712350	712350
22	1	Bushing 3/4" x 1/4"	310410	310410	310410	310410	310410
23	1	Plug 3/4"	328004	328004	328004	328004	328004
24	1	Casting Assembly	705997	705998	705999	705600	705601

PurePro Trio Residential Cast Iron Boiler Warranty

First Year Limited Warranty for PurePro Trio Residential Cast Iron Water Boilers

Boyertown Furnace warrants that its residential cast iron water boilers are free from defects in material and workmanship under normal usage for one year from the date of original installation. If any parts are found to be defective in manufacture during this one-year period, Boyertown Furnace Company will supply a replacement for the defective part.

The Limited Lifetime warranty for the cast iron heat exchanger of its residential water boilers includes the heat exchanger only, not component parts.

Boyertown Furnace Company warrants that the cast iron heat exchanger of its residential water boiler is free from defects in material and workmanship under normal usage during the lifetime of the original owner at the original place of installation. If any sections are found to have a manufacturing defect in materials or workmanship Boyertown Furnace will repair or, at its option replace them.

If you are not the original owner and the cast iron sections are found to have a manufacturing defect in materials and workmanship Boyertown Furnace will repair or, at its option replace them up to 20 years from the manufacturing date represented by the serial number of the boiler.

This warranty does not extend to anyone except and only when the boiler is in the original installation.

Exceptions and Exclusions

1. The limited lifetime warranty covers only the cast iron heat exchanger assembly. The burner, jacket, controls and other equipment furnished by Boyertown Furnace Company but purchased from other manufacturers shall be limited to their warranties, if any.
2. This warranty does not cover expenses for removal or reinstallation. The homeowner will be responsible for the cost of removing and reinstalling the defective part or its replacement and all labor and material connected therewith. Replacement material will be invoiced to the distributor in the usual manner and will be subject to adjustment upon proof of defect.
3. This warranty in no way can be considered as a guarantee of workmanship of an installer connected with the installation of the Pure Pro Trio cast iron or as imposing on Boyertown Furnace Company liability of any nature in the installation which liability is expressly disclaimed.
4. This warranty will not be applicable if the boiler is used or operated over its rated capacity or installed for uses other than home heating; or is not maintained in accordance with Boyertown Furnace Companies recommended or accepted good practice as determined by industry standards.
5. This warranty will not be applicable if the boiler has been damaged as a result of being improperly serviced or operated, including but not limited to the following: operated with sufficient water; allowed to freeze: subjected to flood conditions: or operated with water conditions and or fuels or additions which cause condensation, unusual deposits, or corrosion in or on the cast iron sections.
6. This warranty applies only to boilers installed in the United States.
7. In order for this warranty to be effective a) The boiler must have been installed in a single or a two family residential dwelling. This warranty does not apply to boilers installed in apartments or commercial or industrial installations. b) The boiler must have been assembled in strict compliance with the installation instructions furnished with the boiler. c) Boiler sections must not have been damaged in handling during shipment or installation.
8. The remedy for breach of this warranty is expressly limited to the repair or replacement of any part found to be defective under conditions of normal; and the remedy for incidental, special or consequential damages or loss such as loss of the use of the materials, inconvenience or limitation of incidental or consequential damages so the above limitations or exclusions may not apply to you.
9. The warranty is lieu of all others, and any and all express or implied warranties (including, without limitation any implied warranties of merchantability or fitness for a particular purpose), are expressly limited in duration to the period of the warranty as previously stated herein. Some states do not allow limitations on how long an implied warranty lasts so the above limitation may not apply to you.

Implied warranties of fitness for a particular purpose and merchantability shall be limited to the duration of the express warranty. Boyertown Furnace Company expressly disclaims and excludes any liability for consequential or incidental damages for breach of any express or implied warranty.

For prompt warranty service, notify the installer who in turn will notify Boyertown Furnace distributor from where the boiler was purchased. If this action does not result in warranty service, contact the Boyertown Furnace Customer Service Department, P.O. Box 100, Boyertown, Pa. 19512, with details in support of the warranty claim. Alleged defective part or parts must be returned through trade channels in accordance with the Boyertown Furnace Company's procedure currently in force for handling returned goods for the purpose of inspection to determine cause of failure. Boyertown Furnace will furnish the new parts to an authorized Boyertown Furnace distributor who in turn will furnish the parts to the heating contractor who installed the boiler. If you have any questions about the coverage of this warranty, contact Boyertown Furnace Company at the above address. This warranty gives you specific legal rights, and you may also have other rights which vary from state to state.

Installation and Service Check List

Boiler Model: _____ Serial No.: _____

Installation Date: _____

Installer Name: _____ Phone No.: _____

Boiler Installation

- Boiler level and in solid contact with floor?
- Boiler and burner wired per wiring diagram and National Electric Code? 120VAC wiring
Type _____ Size _____ AWG
- Burner sealed to boiler? Mounting nuts tight?
- Space is large enough to provide required clearances?
- NFPA 31 Installation of Oil Burning Equipment followed?
- Local, state and national codes, laws, regulations and ordinances followed?

Vent System

- Existing chimney and vent system inspected to NFPA 211 and in good condition?
- New vent pipe installed and properly sealed?
- Vent size checked against boiler manual and codes?

Burner Operation


- Burner Model: _____ Nozzle: _____ GPH _____ Deg. _____ Type _____
- Burner Pump Pressure: _____
- Fuel filter and fuel lines installed and inspected as per burner manual?
- Air bled from oil piping? Piping checked for leaks?
- Burner started, adjusted and tested per burner manual?

Boiler Operation

- Thermostat heat anticipator set per burner manual instructions?
- Limit control tested for proper operation?
- Boiler observed going through several operational cycles for proper operation?

Post Installation

- Reviewed owners' information in this manual with owner or maintenance personnel and instructed to keep for future reference?
- Properly filled in and returned warranty registration card to Boyertown Furnace Co. Inserted burner manual instructions with furnace manual for future use

 -----Cut and Return This Form or register online at www.boyertownfurnace.com-----

Warranty Registration

Boyertown Furnace Co.

P.O. Box 100

Boyertown, PA 19512

Date Installed: _____

Boiler Model No. _____

Serial Number: _____

Name of Purchaser: _____

Purchaser's Address: _____

Dealer's Name: _____

Dealer's Address: _____
